

WELL TYPE TURNTABLE

NB-55

093288

The Peco 73ft. N scale turntable is based on the basic bridge type built by Ransome and Rapier and supplied to many railways, both at home and overseas.

As supplied, the model is meant to be turned by hand, but operation can also easily be mechanised and/or motorised — see (9).

IMPORTANT

Study these instructions carefully before starting assembly. Cut plastic parts from sprues with sharp craft knife and ensure they are free from flash. Remove any burr from metal parts using a fine file. Any painting is best carried out before assembly, but make sure paint is removed from joint areas before applying adhesive.

FINISHING TOUCHES

As supplied the components make up into a highly realistic model. This can be further enhanced using suitable modelling paints to 'weather' the structure and pick out details.

EQUIPMENT REQUIRED

Flat work surface. Modelling knife
Polystyrene cement or solvent. Small fine flat file.
Impact adhesive (check this does not attack polystyrene).
Needle nose pliers. Paints — optional.

CONTENTS

1 Well moulding
1 Deck moulding
2 Side/handrail mouldings
1 Bearing/collar moulding
1 Instructional

Polythene bag containing:

2 Lengths of rail
2 Well contacts
1 Length of wire
2 Top section contacts
2 Plunger contacts
2 Springs

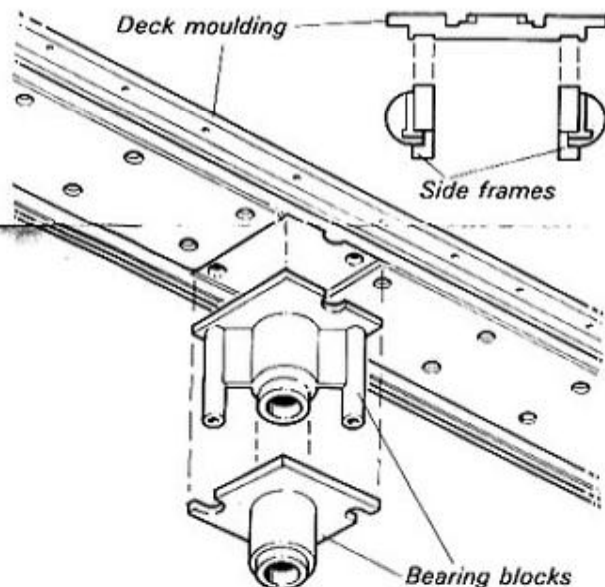
ASSEMBLY INSTRUCTIONS

1

Cement first bearing block (with pillars) in position on underneath of deck moulding noting locating 'notch'.

Cement second bearing block in position ensuring it is pushed fully home onto first bearing.

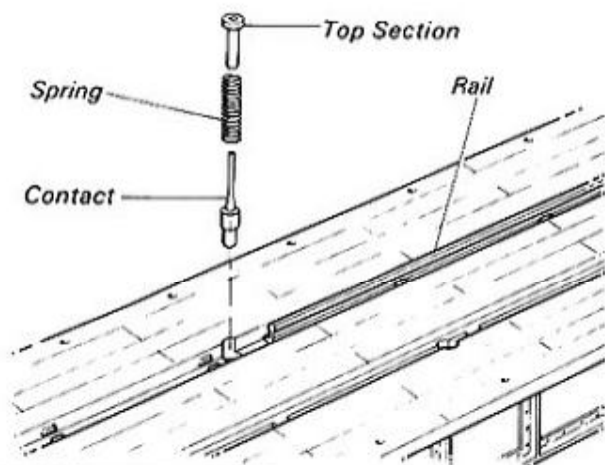
Cement the two side frames in place.



2

Remove any burr from ends of rail lengths.

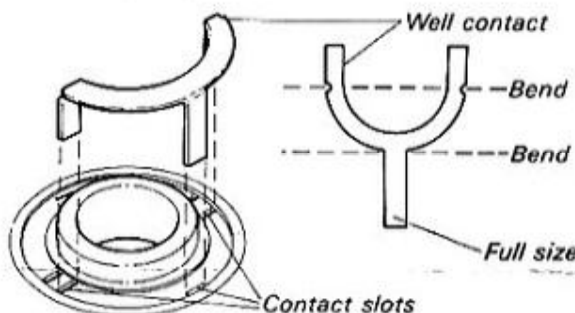
Locate plunger contacts and springs into bearing blocks by passing them through deck. Retain by sliding rails into position through the rail fixing slots in the deck — a pointed modelling knife is useful to hold the top section in place whilst the rails are slid over it. Check for the electrical continuity between plunger and rail.



3

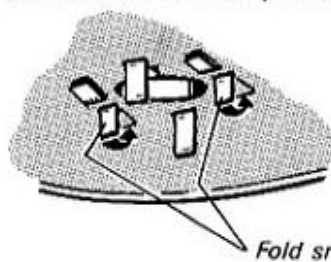
Check that centre hole and contact slots in floor of well moulding are free from flash.

Bend all three tags on each of the two well contacts down at right angles — see illustrations.



4

Fit the two well contacts in recess in well floor with the tags through the slots provided. Bend the four SHORT tags over underneath to hold contacts in position.



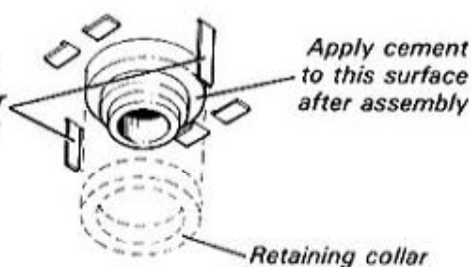
5

Insert deck assembly into well and check ease of rotation and electrical continuity from rails through to long contact tags under well floor.

6

Having checked that the turntable functions correctly, invert the complete unit and gently ease retaining collar in place until it lightly pushes against underneath of well floor. After a final check, cement collar in position by applying cement to the outside only — again checking that it rotates smoothly.

Attach leads to the two long tabs either by folding tags over or soldering

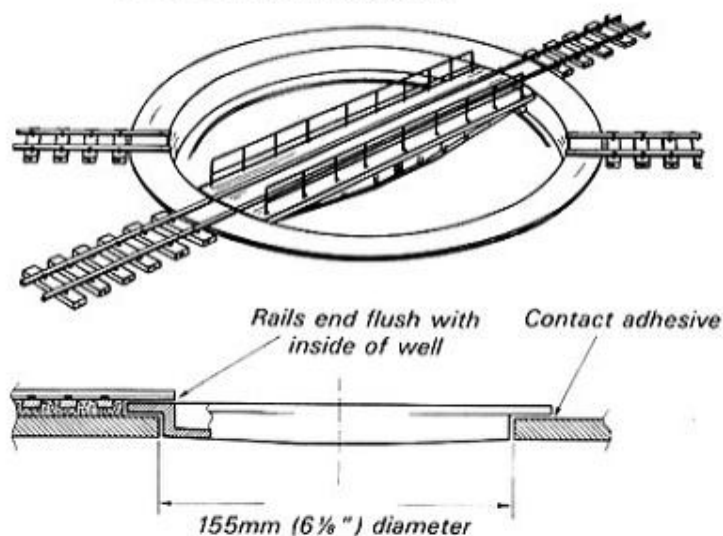


Cut wire supplied into two leads and bare the ends. Attach one end of each lead to the long tags under the well by folding tags over or soldering, see (8).

7

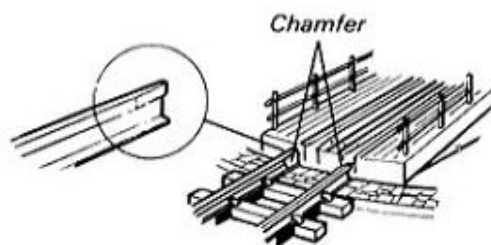
Cut a hole in baseboard surface 155mm dia. (6 1/8") and place turntable in position.

Note: It is advisable to check the turntable operation carefully before fixing permanently in the baseboard. When satisfied that it works correctly, contact adhesive can be used to glue it into the baseboard. Check first that the adhesive does not attack plastic.



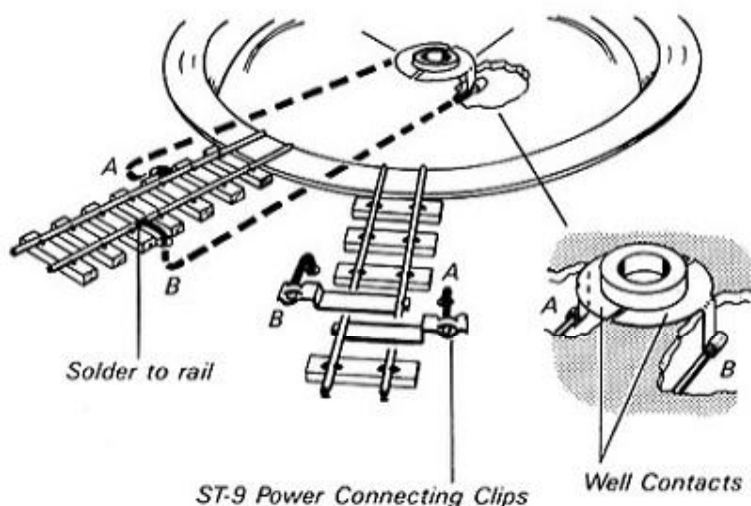
When the turntable is in position, align the approach tracks, having first removed the end sleepers so that rails can overlap the full width of the well rim. Rail ends should be flush with inside edge of rim. No height adjustment is needed when using Peco Streamline Universal Fine track (SL-300F) with Ballast Inlay (SL-350). Rails should be flat on rim surface. For Streamline Universal Standard N (SL-300) the Ballast Inlay can be compressed slightly when pinning the track down. If Ballast Inlay is not used, some packing will be necessary under the approach tracks.

To improve transition between the approach tracks and the deck rails, a slight chamfer of about 3mm (1/8") can be filed on the inside of the approach track rails.



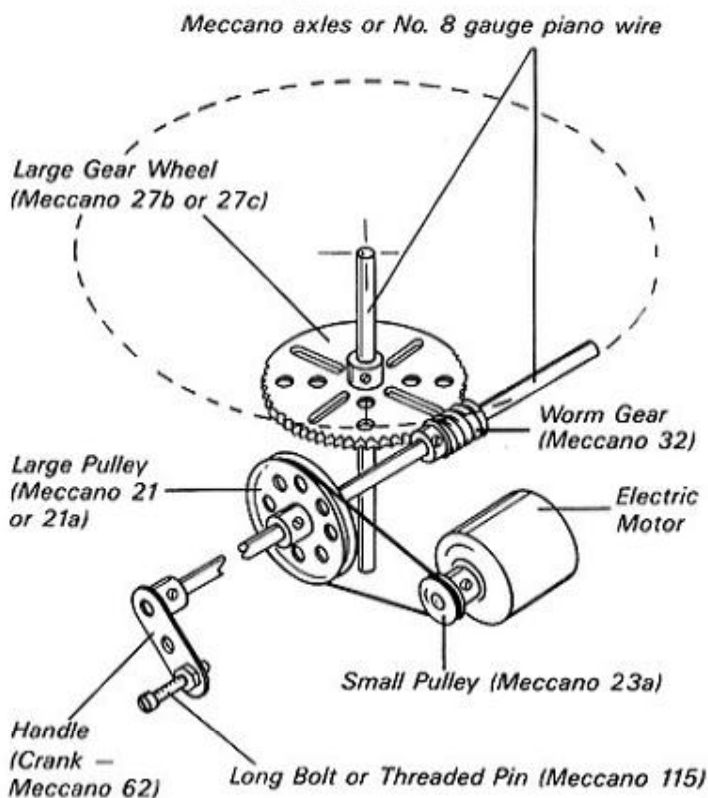
8

Take the two leads, see (6), under the well and up through the baseboard to connect them to the respective approach rails, either by soldering or using Peco Power Connecting Clips (ST-9). Illustration shows both methods. When using ST-9 clips, ensure correct polarity is maintained as the clips slide under first rail to connect to second rail.



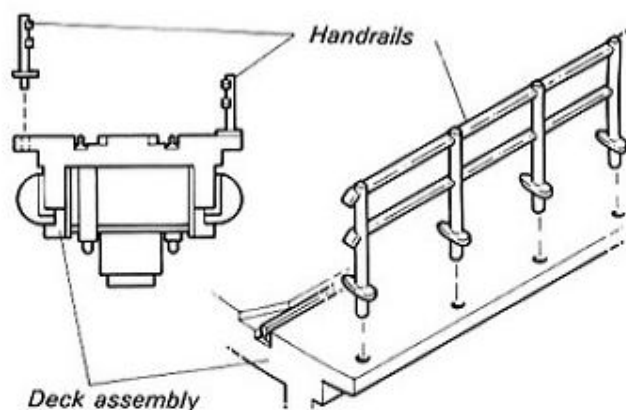
9

The turntable can be rotated simply by hand or mechanised and/or motorised using Meccano or similar components (not supplied). The centre hole through the bearing blocks is a push-fit for a Meccano axle or No. 8 gauge 'piano wire' — available from model aircraft shops. A motorised system will of course require additional control.



10

When installation is complete, the delicate handrail mouldings can be cemented in position on the deck.



GUARANTEE — N Turntable

The contents of this kit have been carefully checked and are guaranteed in accordance with the high quality for which Peco is world renowned. In the event of a missing or faulty part please complete this form giving details and send it to Peco at the address below for replacement. This Guarantee in no way affects your statutory rights as a consumer.

If you require any further information you are invited to write to the Peco Technical Advice Bureau at the address below.

PART

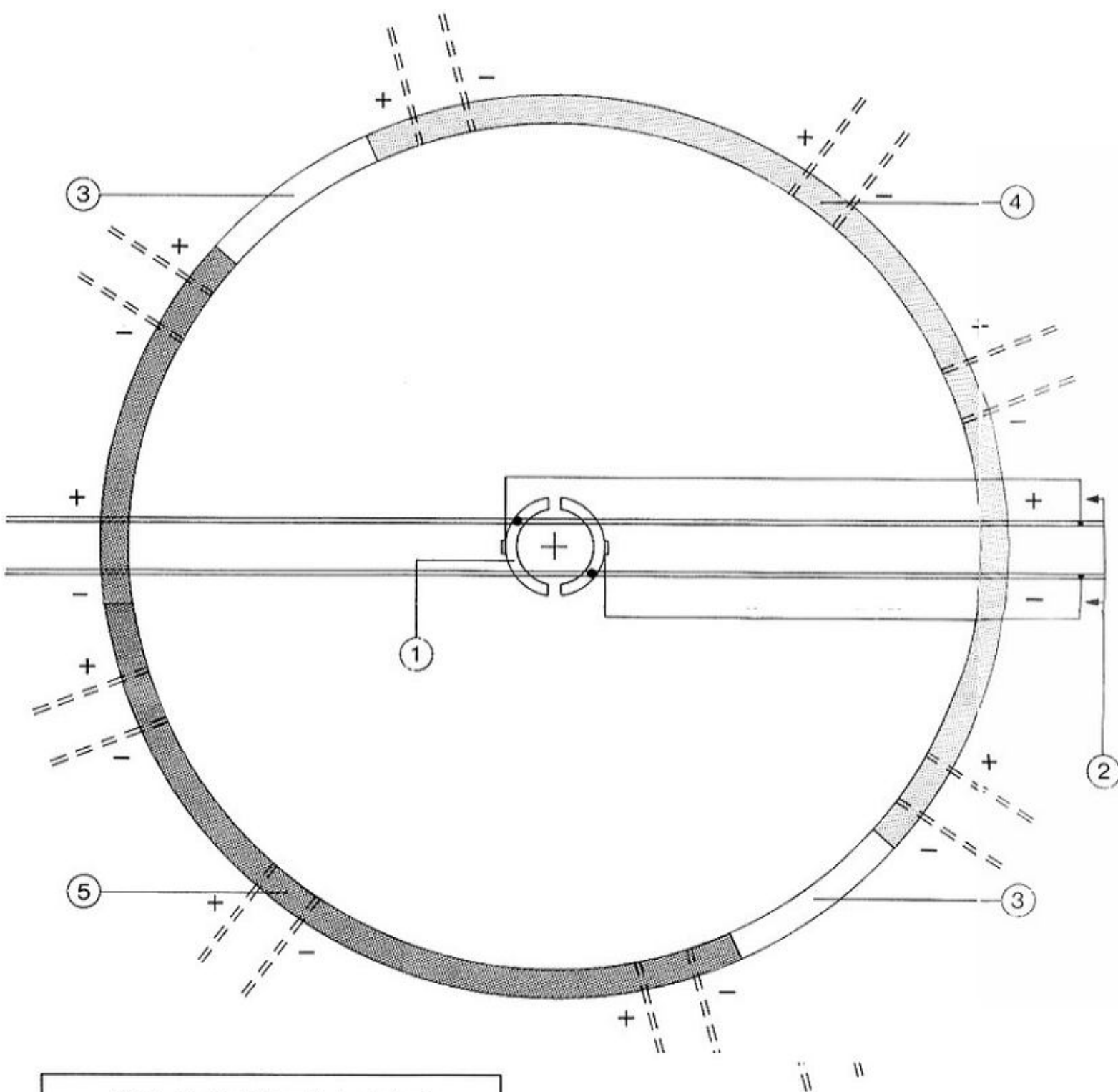
NAME

ADDRESS

.....

DATE

FULL SIZE TEMPLATE MODELE GRANDEUR NATURE DIE SCHABLONE IN VOLLER GRÖÖE



Keep up-to-date with the latest
Peco products by reading
**RAILWAY MODELLER
AND
CONTINENTAL
MODELLER**

Obtainable from your local model shop, newsagent or
by direct subscription - please send for details.

Made in England by

WIRING DIAGRAM

- 1 Turntable well to be positioned with metal contacts at right angles to the approach track.
- 2 Wires from the metal contacts of the turntable to be connected to the approach tracks either by soldering or using Setrack power connecting clips (ST-273).
- 3 NO SHADED AREA - The turntable deck will be electrically dead, therefore no tracks leading from the turntable can be in this area.
- 4 LIGHT SHADED AREA - The turntable deck will have the same polarities as the main feed and tracks leading from the turntable and should be wired as illustrated.
- 5 DARK SHADED AREA - In this position, the turntable deck will have its polarities reversed and tracks leading from the turntable should be wired as illustrated.

The illustration shows how the polarities of the track change in different segments of the Turntable.

SCHEMA DU DISPOSITIF ELECTRIQUE

- 1 Il faut placer la fosse de la plaque tournante de telle sorte que les contacts de métal soient à angle droit avec la voie d'approche.
- 2 Il faut connecter les fils venant des contacts de métal de la plaque tournante aux voies d'approche, soit en les soudant au fer, soit au moyen des attaches de raccord électrique Setrack (ST- 273).
- 3 ZONE CLAIRE. Le courant ne passera pas dans le tablier de la plaque tournante, en conséquence, il ne peut pas y avoir de voies partant de la plaque tournante dans cette zone.
- 4 ZONE LEGEREMENT OMBREE. Le tablier de la plaque tournante doit avoir les mêmes polarités que l'alimentation principale et il faut faire l'installation électrique des voies partant de la plaque tournante comme dans le dessin.
- 5 ZONE OMBREE EN SOMBRE. Dans cette position, les polarités du tablier de la plaque tournante seront inversées et il faut faire l'installation électrique des voies partant de la plaque tournante de sorte que les polarités desdites voies soient comme dans le dessin.

L'illustration montre comment la polarité change dans les voies du secteur desservi par le pont tournant.

DIAGRAMM FÜR DIE ELEKTRISCHEN KONTAKTE

- 1 Der Drehscheibenschacht muß so platziert werden daß sich die metallischen Kontakte im Rechten Winkel zu den Zufahrtsgleisen befinden.
- 2 Die Drähte von dem Metalkontakten der Drehscheibe werden mit den Zufahrtsgleisen verbunden entweder durch anlöten oder bei der Benutzung von Setrack Klemmplatten (ST-273).
- 3 UNSCHATTIERTE FLÄCHE - Die Drehscheibendecke ist nicht elektrifiziert deshalb sollten keine Gleise von der Drehscheibe kommend in dieser Fläche liegen.
- 4 LEICHT SCHATTIERTE FLÄCHE - Die Drehscheibe hat die selbe Polarität wie das Hauptstrom-Netz und die elektrischen Drähte sollten als illustrierte.
- 5 DUNKEL SCHATTIERTE FLÄCHE - In dieser position ist die Polarität der Drehscheibe entgegengesetzt und Gleise, ab-führend von der Drehscheibe, sollten deshalb so verkabelt werden als illustrierte.

Die Zeichnung zeigt, wie die Polaritäten der Gleise sich in verschiedenen Abschnitten der Drehscheibe ändern.